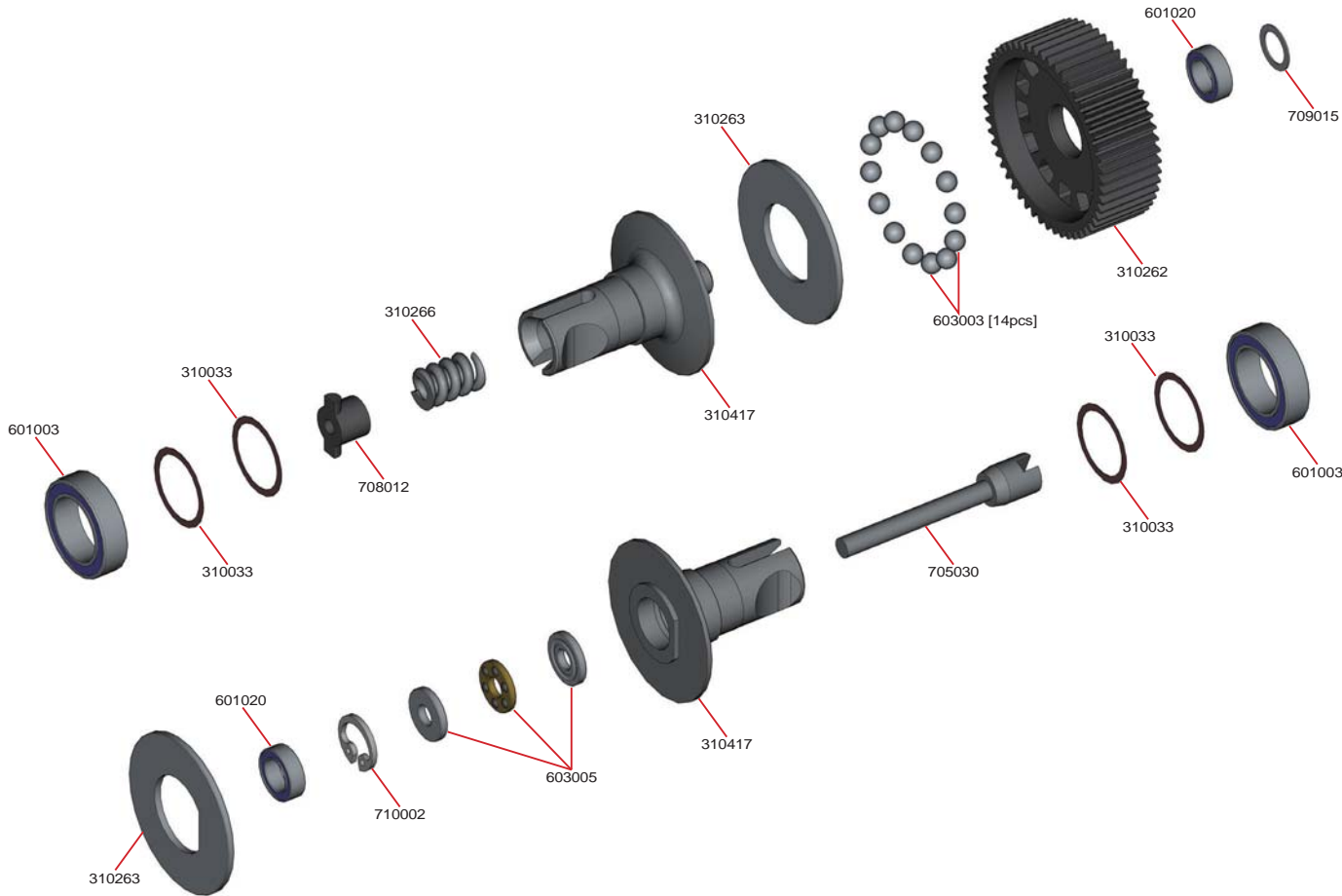


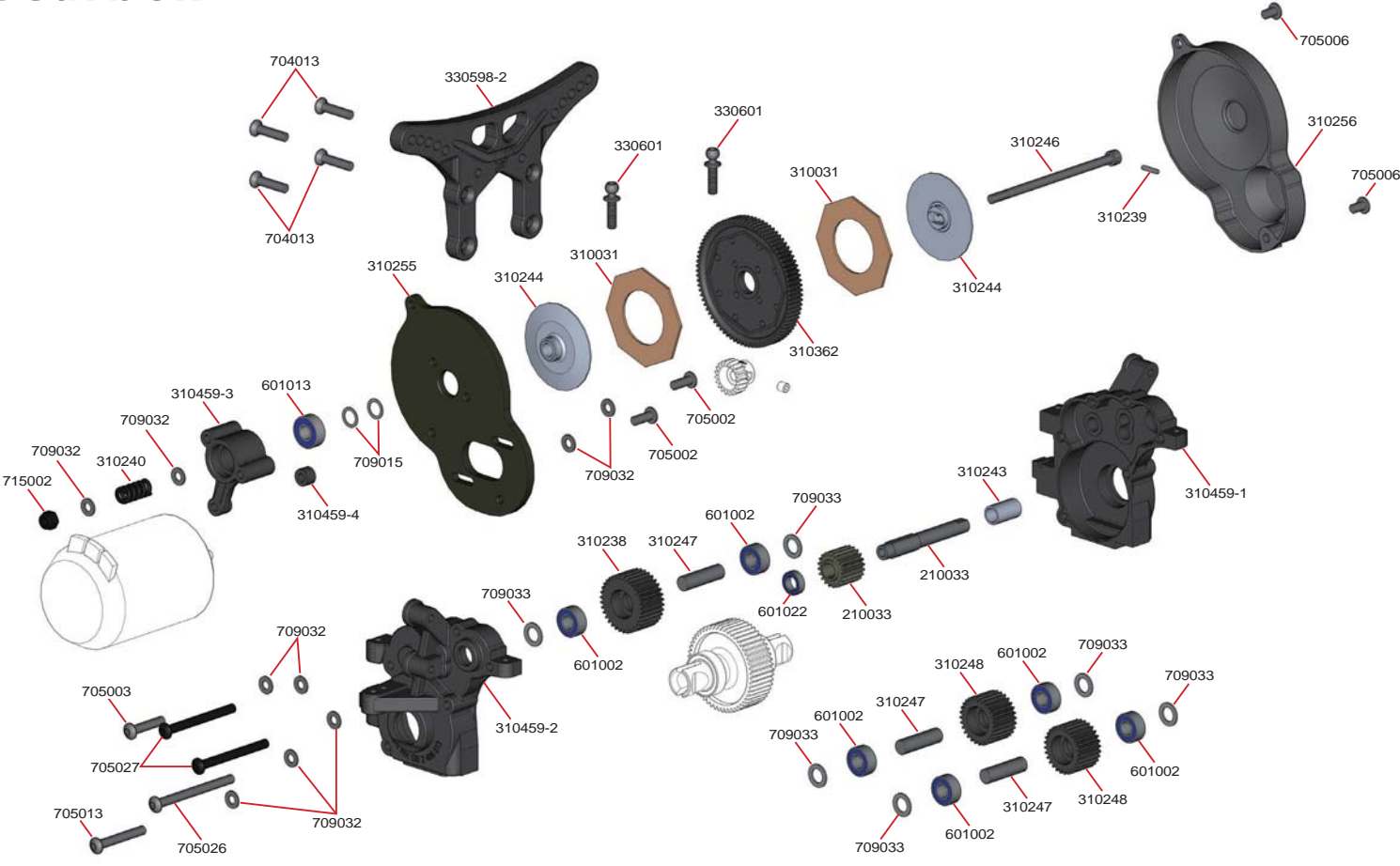




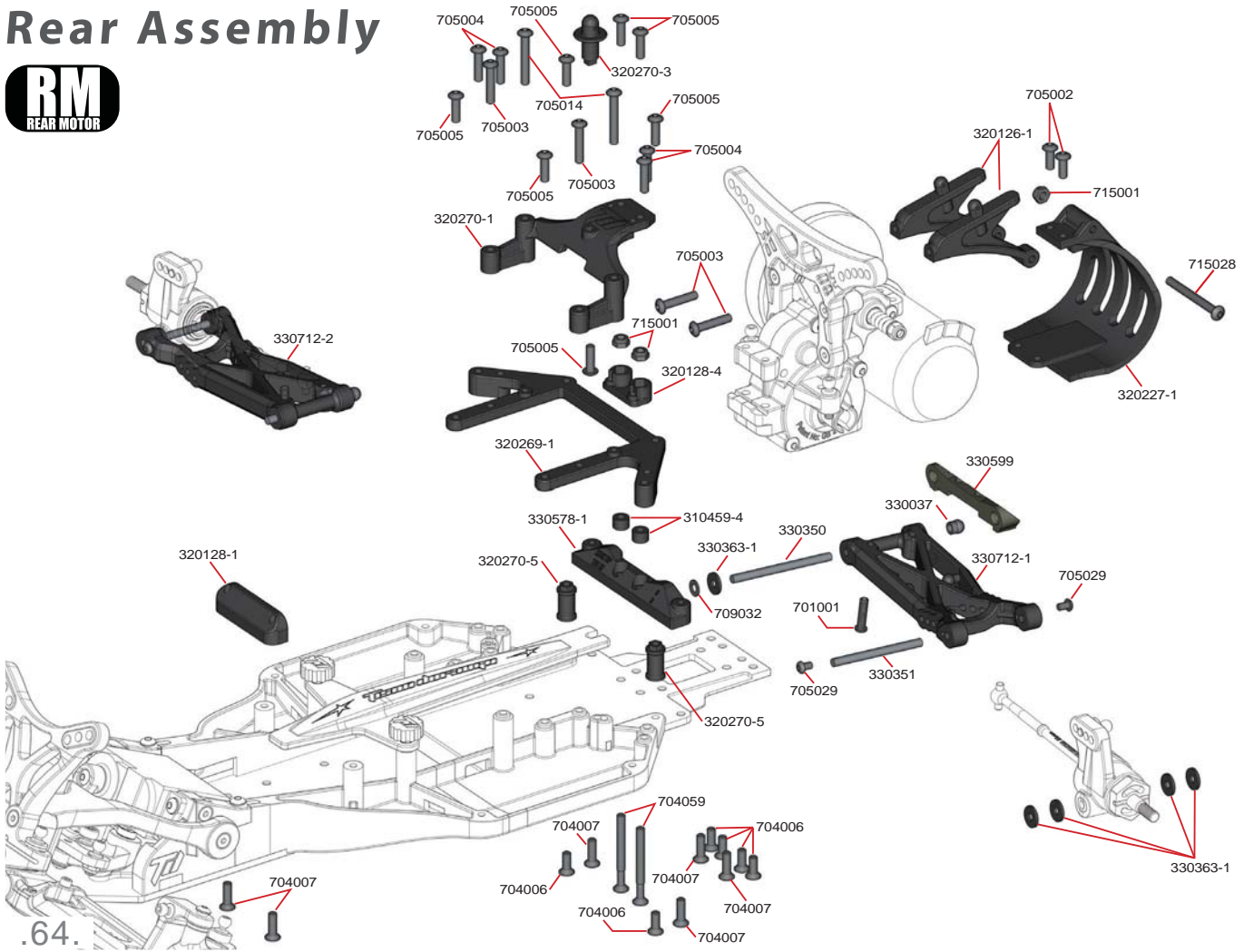
# Ball Differential



# Gearbox

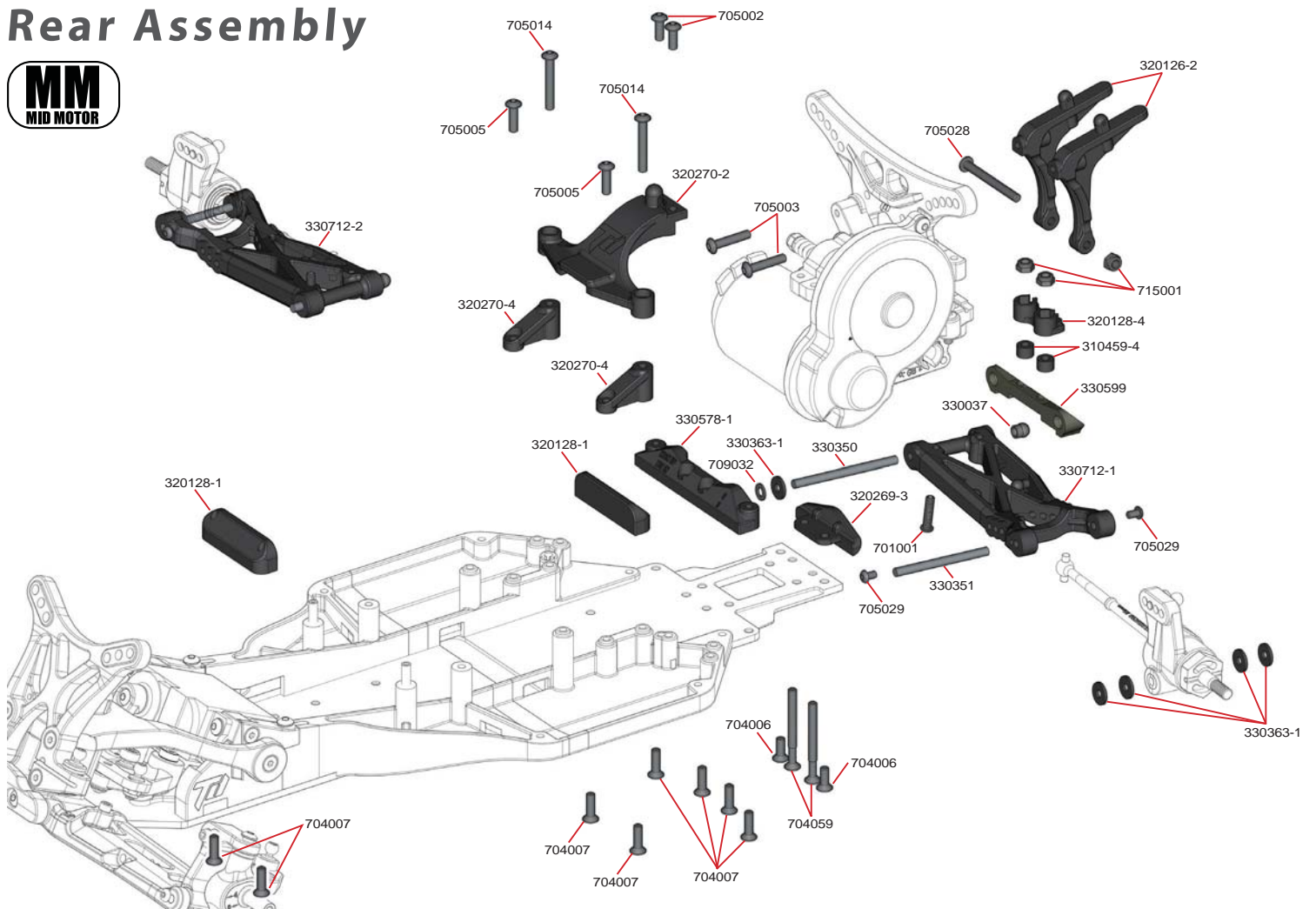


# Rear Assembly



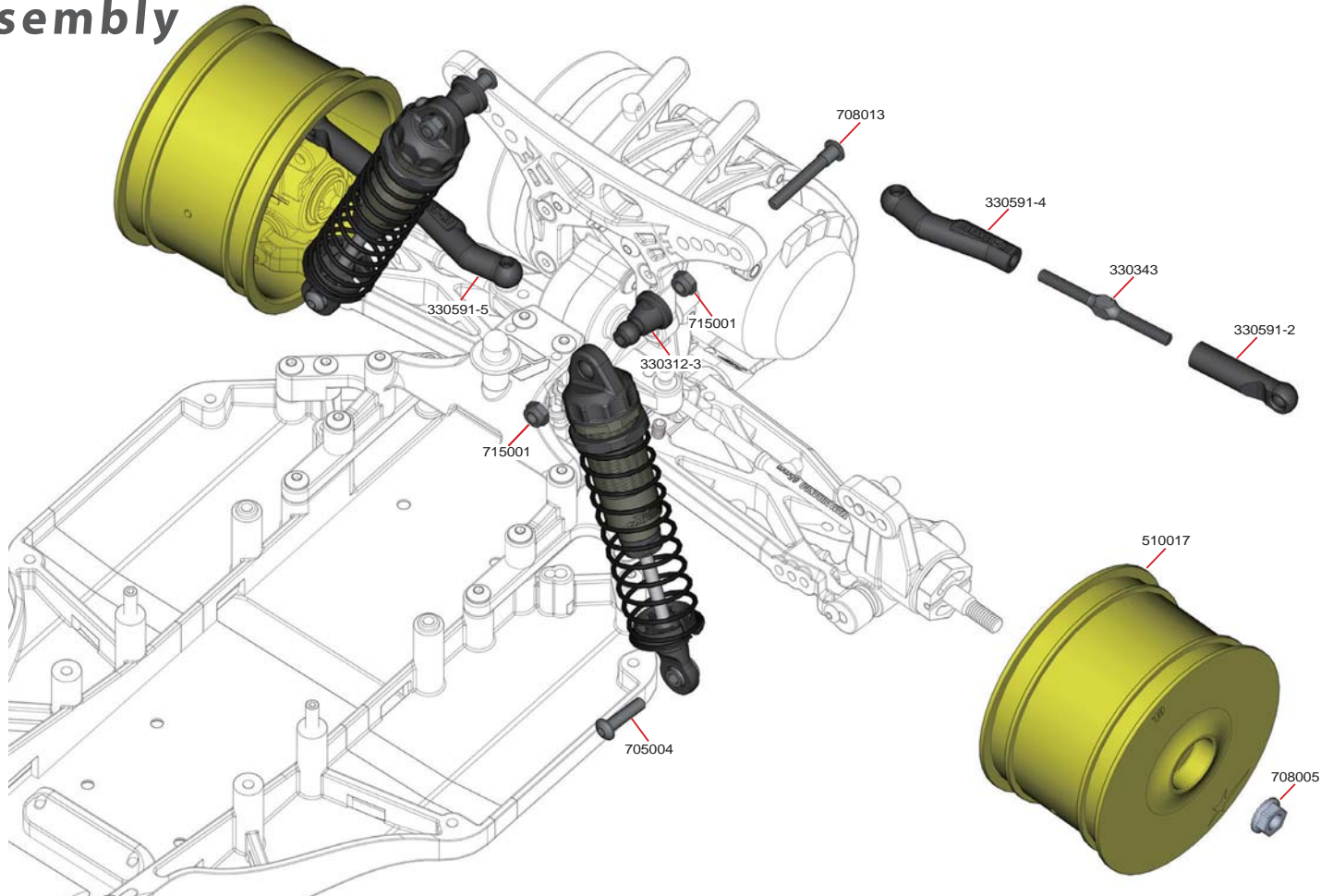
.64.

# Rear Assembly



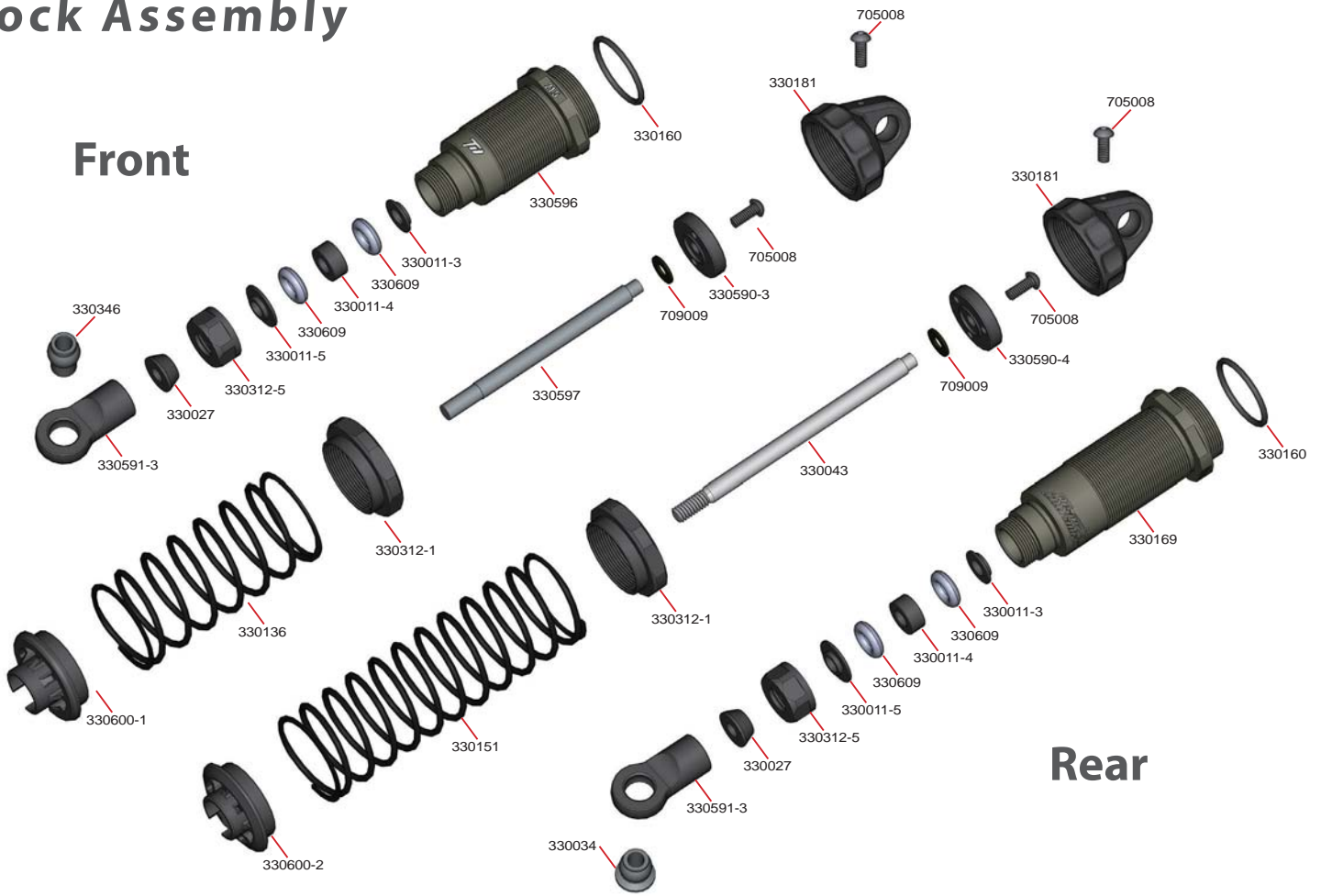


# Rear Shock Tower Assembly



## Notes

# Shock Assembly



# Front Shock Tower Assembly

